

<b>Program Start Electronic Ballast</b>	120 or 277 Voltage
---	--------------------

**Application and Performance:**

- Energy saving high efficiency program start electronic ballast (> 90%)
- Multi-voltage technology handles voltage from 120 to 277v
- UL Type CC Rating provides protection against arcing in electrical devices
- Anti-Striation Control for better light quality, with no striations
- Active Power Factor Correction - Ballast regulates the output to each lamp with individual lamp inverter modules

**General Characteristics:**

Application	2 or 1 F54T5 120 to 277v 1.0BF
Ballast Type	Electronic – High Efficiency Multivolt Program Start
Starting Method	Program Rapid Start
Lamp Wiring	Parallel
Line Voltage Regulation (+/-)	10%
Ambient Temp (Max)	105°F / 41°C
Case Temp (Max)	167°F / 75°C
Ballast Factor	High (1.0)
Sound Rating	A
Supply Current Frequency	50 Hz / 60 Hz



**Dimensions:**

**CASE DIMENSIONS**

Length (L)	16.75 in
Width (W)	1.75 in
Height (H)	1.2 in

**LEAD LENGTHS**

White/Black	25 in
Red/Blue	25 in
Yellow	50 in
Red/White, Blue/White	25 in
Orange	50 in

Weight	2.75 lbs
Exit Type	Side
Remote Mounting	
Distance to lamp	18 ft
Remote Mounting	
Wire Gauge	18 AWG
Case Quantity	8
UPC	762148204411

For the most up-to-date specs, please visit [www.tcpi.com](http://www.tcpi.com)

Lamp Type	Line Volt.	Num. of Lamps	Rated Lamp Watts	Min. Start Temp. (°F/°C)	Input Current (Amps)	Input Power (Watts)	MAX. THD%	Power Factor	Ballast Factor	MAX. Lamp Current Crest Factor	B.E.F.
<b>F54T5</b>	120	4	54	-20/-29	2.09	249	10	0.99	1.00	1.70	0.40
		3	54	-20/-29	1.55	185	10	0.99	1.00	1.70	0.54
		2	54	-20/-29	1.02	122	10	0.99	1.00	1.70	0.82
		1	54	-20/-29	0.52	63	10	0.99	1.00	1.70	1.59
	277	4	54	-20/-29	0.88	239	10	0.99	1.00	1.70	0.42
		3	54	-20/-29	0.67	182	10	0.98	1.00	1.70	0.55
		2	54	-20/-29	0.45	120	10	0.96	1.00	1.70	0.83
		1	54	-20/-29	0.25	65	10	0.93	1.00	1.70	1.54

Note: the above data is tested at 60Hz, 25C  
 Application and Performance Specification Information  
 Subject to Change without Notification.  
 Fully meets UL&cUL safety standards.

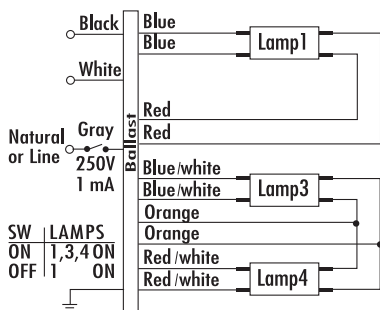
**Performance:**

- Meets ANSI Standard C82.11-1993
- Meets ANSI Standard C62.41-1991
- Meets FCC 18 Non CONSUMER Limits

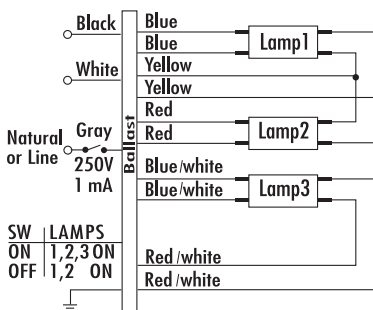
**Safety:**

- No PCB's
- UL Listed (Class P, Type 1 Outdoor)
- OCV 600V

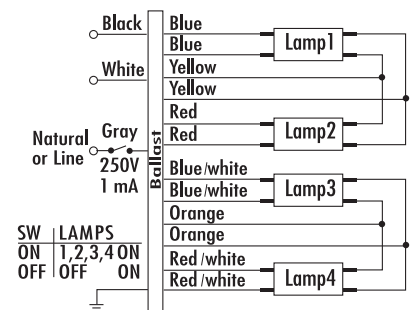
**One or Three Lamps**



**Two or Three Lamps**



**Two or Four Lamps**



**Ballast case must be grounded.**

For the most up-to-date specs, please visit [www.tcpi.com](http://www.tcpi.com)

Note: For three lamp application, cap any unused leads. Insulate to 600 volts.