

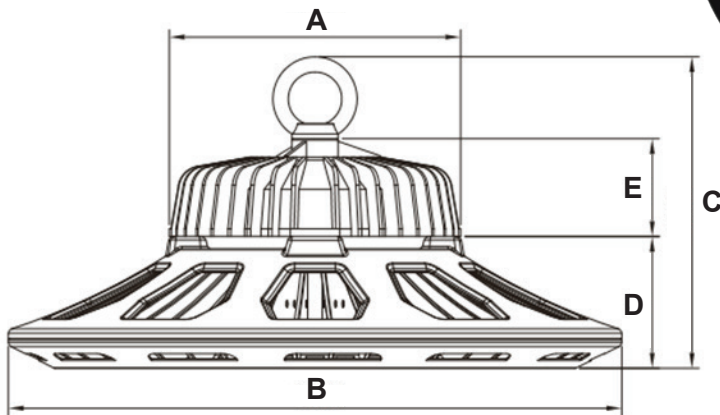


LED UFO HIGH BAY

WITH
QLS[™]
TECHNOLOGY

APPLICATIONS

- Indoor High Bay
- Heavy industry
- Storage areas
- Loading bays
- Gymnasiums
- Architectural illumination
- Retail
- Museums



DIMENSIONS

Type	A (mm)	B (mm)	C (mm)	D (mm)	E (mm)
UFO20001xxE	190	400	203.5	86	64
UFO20002xx	190	400	203.5	86	64

AVAILABLE PART NUMBERS

Part Number	Voltage	Power	Lumens	Efficacy	CRI	CCT	Power Factor	Dimmable	IP Rating	Rated Life	Warranty
UFO2000140E	120 - 277V	200W	25,000	125	>80	4000K	>0.9	Non-Dimming	IP65	50,000 Hours	5 Years
UFO2000150E	120 - 277V	200W	25,000	125	>80	5000K	>0.9	Non-Dimming	IP65	50,000 Hours	5 Years
UFO2000235	120 - 277V	200W	25,000	125	>80	3500K	>0.9	Non-Dimming	IP65	50,000 Hours	5 Years
UFO2000240	120 - 277V	200W	25,000	125	>80	4000K	>0.9	Non-Dimming	IP65	50,000 Hours	5 Years
UFO2000250	120 - 277V	200W	25,000	125	>80	5000K	>0.9	Non-Dimming	IP65	50,000 Hours	5 Years

INSTALLATION GUIDE



Hang on Ring



Hang on Chain



NOTE: Some items may be in QLS packaging

